

Description

340L Heat Pump

Model

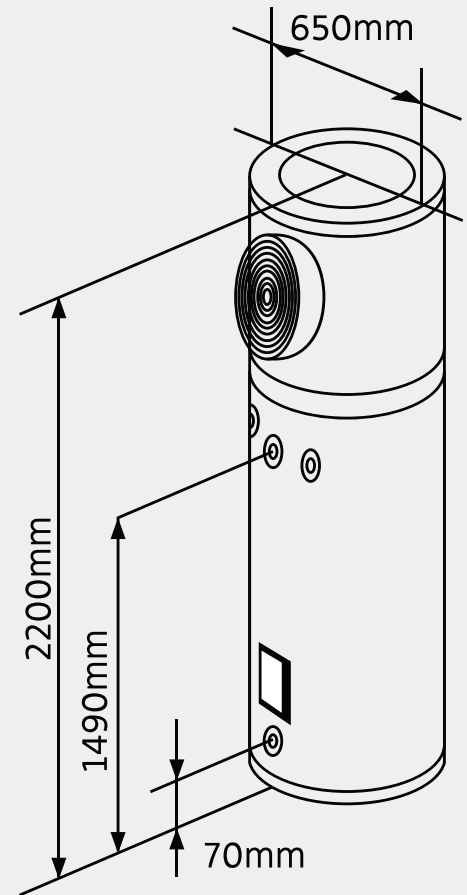
340-08AC6-290

Dimensions

2200 x 650mm

Hot Water Production Rate L/hr (COP)

75 (4.53)



Specifications

Storage Size	340L
Rated Delivery	315L
Heating Output	3.81kW
Power Input	0.84kW
COP of Heating	4.53
Water Temp Setting	58°C
Maximum Tank Temp Setting	60°C
Compressor	Rotary
Refrigerant	R290
Electrical Supply	220-240V/50Hz/1Ph
Circuit	10 Amps

Water Connections	RC3/4"
PTR Valve Setting	850kPa
Expansion Ctrl Valve (ECV) Setting	700kPa
PLV (without ECV fitted / with ECV fitted)	500kPa / 350 - 500kPa
Operating Sound Level (1.5M)	48dB
Nett (Empty) Weight	170kg
Ambient Air Operating Temperature	-15°C to +40°C
Warranty	5 years (5 years tank, 2 years electric and refrigeration)*

Make your next water heater a Quantum heat pump.

For more information call 1800 644 705 or visit quantumenergy.com.au

*Refer to quantumenergy.com.au for warranty details or call 1800 644 705 | Under its policy of ongoing product development, Quantum Energy may from time to time change product specification without notice. All dimensions given are approximate and should be checked prior to installation.



Hot water production rate

Ambient Temperature	Hot Water Production Rate (COP)
35°C	113LPH (5.75)
30°C	102LPH (5.42)
25°C	89LPH (4.98)
20°C	75LPH (4.53)
15°C	61LPH (4.08)
10°C	51LPH (3.64)
5°C	42LPH (3.19)
0°C	33LPH (2.75)
-5°C	29LPH (2.30)
-10°C	26LPH (1.86)

Applications

Suitable for large households and limited commercial applications (excluding recirculating systems).



7 People



3 Bath



Small Business

Government Rebates Available

Federal Government Grants Small-Scale Technology Certificate (STCs)

Quantum heat pumps systems are eligible for grants through the Federal Governments Small-scale Renewable Energy Scheme. These grants are called Small-scale Technology Certificates (STCs) and are offered based on how sustainable a hot water system is. Your STC rebate value will depend on your installation location and size of system selected.

Please visit www.rec-registry.gov.au/rec-registry/app/calculators/swh-stc-calculator to calculate your STCs.

State Grants

Victoria

For Victorian consumers there are additional rebates available for replacing inefficient hot water systems with Heat Pumps. Victorian Energy Efficiency Certificates (VEECs) are offered for eligible installations on top of the Federal STC grants. There are several activities which create VEECs as follows:

- Activity 1D Is for replacing an electric storage hot water system with an energy efficient heat pump in a residential setting.
- Activity 44A Replacing a gas hot water system with a heat pump in a business or commercial setting.
- Activity 44B Replacing an electric hot water system with a heat pump in a business or commercial setting.
- Activity 44C Installing a new heat pump hot water system in a business or commercial setting.

For more information please visit:

www.veu-registry.vic.gov.au/Public/Public.aspx

NSW

For New South Wales consumers there are additional rebates available for replacing inefficient hot water systems with Heat Pumps. Energy Savings Certificates (ESCs) are offered for eligible installations on top of the Federal STC grants. There are several activities which create ESC's as follows:

- IHEAB Replacing an existing commercial gas or electric hot water system with a new energy efficient heat pump. Only applies to commercial buildings.
- HEER Replacing an existing electric or gas storage hot water system with an energy efficient heat pump system at a residential property.

For more information please visit:

www.energysustainabilityschemes.nsw.gov.au/Home/About-ESS/Overview-of-the-ESS

Make your next water heater a Quantum heat pump.

For more information call 1800 644 705 or visit quantumenergy.com.au

*Refer to quantumenergy.com.au for warranty details or call 1800 644 705 | Under its policy of ongoing product development, Quantum Energy may from time to time change product specification without notice. All dimensions given are approximate and should be checked prior to installation.